



## Refrigerator Order Form

**Deadline: 25 january 2010.**

**Fax: +36 1 263 64 35**

**E-mail: falukozi.zsofia@hungexpo.hu**

<i>Exhibiting Company:</i> .....
<i>Address:</i> .....
<i>Invoicing address, if different</i> .....
<i>Contact person:</i> .....
<i>Telephone:</i> ..... <i>Fax:</i> .....
<i>Mobile:</i> ..... <i>Stand Nr.:</i> .....

Page	Model	Size L*D*H (cm)	EUR/ pc	Order (pc)
<b>TOTAL:</b>				

Date:.....

.....  
Authorized signature



	<b>XIN028</b>	<b>XIN029</b>
Model	BC-490WSS	BD-508SS
External Size L*D*H (cm)	630*760*1955	630*760*1955
Power Consumption V/W	220/185	220/300
°C	0- + 10	-15 / -18
Shelves	4 pc	4 pc
<b>Rental fee:</b>	<b>480 EUR + 25% VAT</b>	
Available Stock	11 pc	7 pc



	<b>XIN001</b>	<b>XIN005</b>
Model	GN 650 TN	GN 650 TB
External Size L*D*H (cm)	740*830*2010	740*830*2010
Internal Size L*D*H (cm)	620*700*1397 GN 2/1	620*700*1397 GN 2/1
Receptivity (lt)	650	650
Power Consumption V/W	220/240	220/540
°C	0- + 10	-15 / -22
Shelves	3*GN 2/1	3*GN 2/1
<b>Rental fee:</b>	<b>670 EUR + 25% VAT</b>	
Available Stock	10 pc	7 pc



	<b>XIN003</b>	<b>XIN007</b>
Model	GN 1410 TN2	GN 1410 TB2
External Size L*D*H (cm)	1480*830*2010	1480*830*2010
Internal Size L*D*H (cm)	1360*700*1397	1360*700*1397
Receptivity (lt)	GN 2/1	GN 2/1
Power Consumption V/W	1410	1410
°C	220/370	220/735
Shelves	0- + 10	-15 / -22
	6*GN 2/1	6*GN 2/1
<b>Rental fee:</b>	<b>830 EUR + 25% VAT</b>	
Available Stock	7 pc	3 pc



	<b>XIN009</b>	<b>XIN014</b>
Model	TG 15 L2	TG 19 L3
External Size L*D*H (cm)	1580*700*850	1955*700*850
Receptivity (lt)	300	400
Power Consumption V/W	220/210	220/245
°C	0- + 10	0- + 10
<b>Rental fee:</b>	<b>830 EUR + 25 % VAT</b>	
Available Stock	5 pc	7 pc



	<b>BOA002</b>	<b>BOA004</b>
Model	LG-283	LG-336
External Size L*D*H (cm)	560*580*1785	620*580*1935
Receptivity (lt)	283	336
Power Consumption V/W	220/205	220/205
°C	0- + 10	0- + 10
Shelves	4 pc	4 pc
<b>Rental fee:</b>	<b>400 EUR + 25% VAT</b>	<b>480 EUR + 25% VAT</b>
Available Stock	10 pc	20 pc



Model	LG-660M
External Size L*D*H (cm)	840*722*1975
Receptivity (lt)	660
Power Consumption V/W	220/400
°C	0- + 10
Shelves	5 pc
<b>Rental fee:</b>	<b>590 EUR + 25% VAT</b>
Available Stock	10 pc



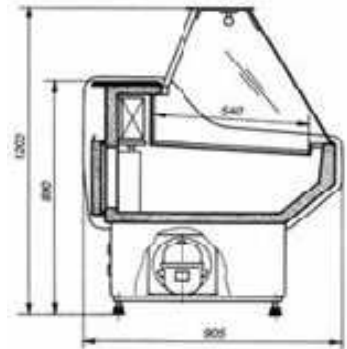
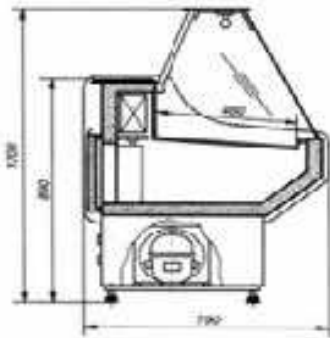
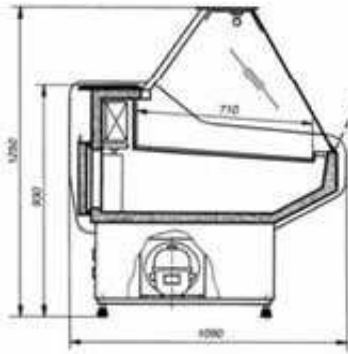
	<b>BOA007</b>
Model	LG-1000AP
External Size L*D*H (cm)	
Receptivity (lt)	1000
Power Consumption V/W	220/480
°C	0- + 10
Shelves	4 pc
<b>Rental fee:</b>	<b>670 EUR + 25% VAT</b>
Available Stock	10 pc



	<b>BOA014</b>	<b>BOA014</b>
Model	WD/WG – 263 Y	WD/WG-566
External Size L*D*H (cm)	1205*625*865	1730*710*885
Receptivity (lt)	265	560
Power Consumption V/W	220/119	220/250
°C	-18	-12
Basket	1 pc	2 pc
<b>Rental fee:</b>	<b>830 EUR + 25% VAT</b>	
Available Stock	2 pc	2 pc



	<b>BOA012</b>	<b>BOA013</b>
Model	WD-530 D	WD-830 D
External Size L*D*H (cm)	1740*910*910	2455*970*910
Receptivity (lt)	530	830
Power Consumption V/W	220/330	220/474
°C	-12	-12
Basket	4	6
<b>Rental fee:</b>	<b>750 EUR + 25% VAT</b>	<b>830 EUR + 25% VAT</b>
Available Stock	4 pc	1 pc



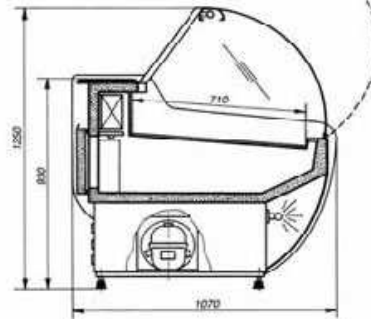
Model	Size L*D*H (cm)	Display area (sq m)	Store area (sq m)	Power supplied	Available Stock	Rental Fee
<b>W-12/905</b>	125*90,5*120	0,6	0,59	494 W	1	<b>670 EUR+VAT</b>
<b>W-15/905</b>	155*90,5*120	0,76	0,74	494W	1	<b>870 EUR + VAT</b>

°C +2 - +8



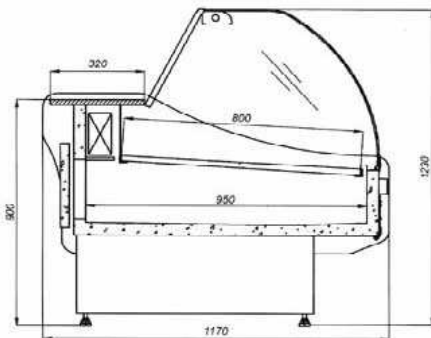
Model	Size L*D*H (cm)	Display area (sq m)	Store area (sq m)	Power supplied	Available Stock	Rental Fee
<b>WS-12/1090</b>	125*109*125	0,8	0,71	494 W	2	<b>670 EUR+VAT</b>
<b>WS-15/1090</b>	155*109*125	1,01	0,9	634W	1	<b>870 EUR + VAT</b>

°C +2 - +8



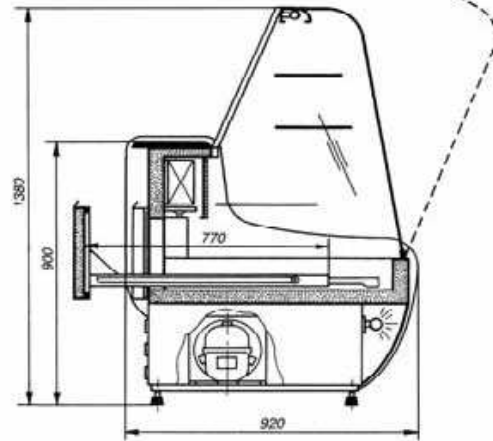
Model	Size L*D*H (cm)	Display area (sq m)	Store area (sq m)	Power supplied	Available Stock	Rental Fee
<b>WSGSP-15/1070</b>	155*107*125	1,01	0,9	634 W	1	<b>870 EUR+VAT</b>
<b>WSGSP-20/1070</b>	205*107*125	1,37	1,21	767W	1	<b>1030 EUR + VAT</b>

°C +2 - +8



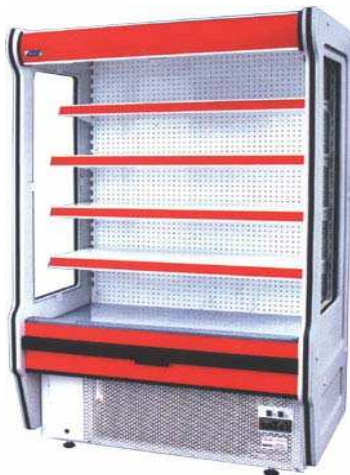
Model	Size L*D*H (cm)	Display area (sq m)	Store area (sq m)	Power supplied	Available Stock	Rental Fee
<b>WNG-20/1170</b>	208*117*123	1,84	1,57	950 W	1	<b>1220 EUR+VAT</b>
<b>WG-15/1070</b>	155*107*125	1,01	0,9	634W	1	<b>870 EUR + VAT</b>

°C +2 - +8



Model	Size L*D*H (cm)	Display area (sq m)	Power supplied	Available Stock	Rental Fee
<b>CG-12</b>	125*920*138	1,66	494 W	1	<b>910 EUR+VAT</b>

°C +2 - +8



Model	Size L*D*H (cm)	Display area (sq m)	Power supplied	Available Stock	Rental Fee
<b>R - 10</b>	125*65*204	1,6	1221 W	1	<b>920 EUR+VAT</b>
<b>R - 14</b>	142*90*204	2,35	1902 W	1	<b>1030 + VAT</b>
<b>R - 16</b>	162*90*204	1,012,72	1902 W	1	<b>1070EUR + VAT</b>
<b>R - 18</b>	182*90*204	3,08	2373 W	1	<b>1330 EUR + VAT</b>